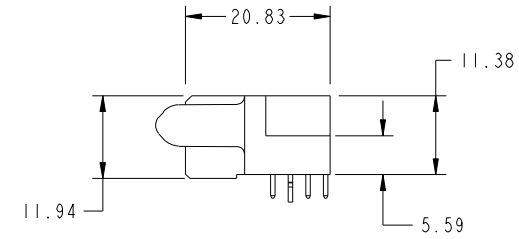
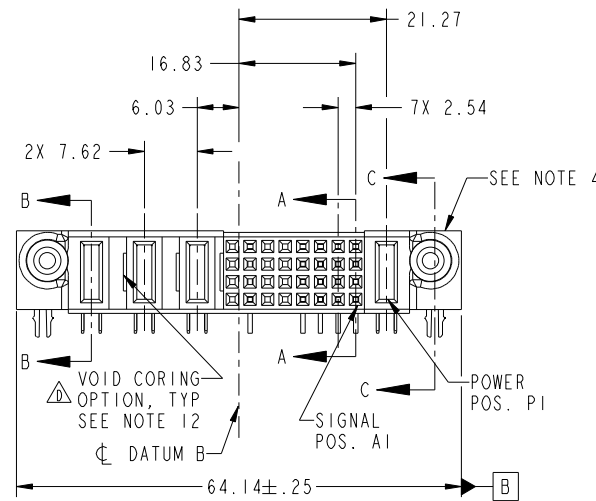
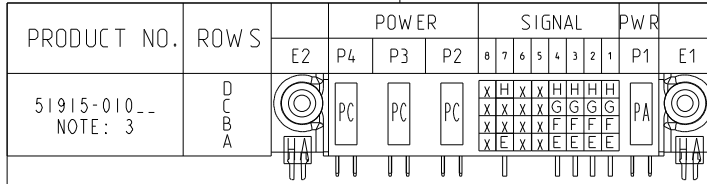


Tous droits strictement reserves. Reproduction ou communication a des tiers interdite sous quelque forme que ce soit sans autorisation écrite du propriétaire. Propriete de c FCI. Droits de reproduction FCI.



All rights strictly reserved. Reproduction or issue to third parties in any form whatever is not permitted without written authority from the proprietor. Property of FCI. Copyright FCI.



CODE	DIM "M" MATING LENGTH	CONTACT TYPE
E	[N/A]	SIGNAL
F	[N/A]	SIGNAL
G	[N/A]	SIGNAL
H	[N/A]	SIGNAL
PA	[1.07]	POWER
PC	[2.34]	POWER
HA	[N/A]	HOLD-DOWN
X	OMITTED	OMITTED

mat'l code				SEE NOTE 2		tolerances unless otherwise specified		CUSTOMER	
ltr	ecn no.	dr	date	linear	0.X ± 0.5	COPY		FCI	
A	V20856	DAI	04/30/02		0.XX ± 0.25	projection	www.fciconnect.com		
B	V21429	CGD	09/05/02		0.XXX ± 0.10		title		
C	DG05-0181	SJ	06/21/05	angles	0° ± 2°		IP + 32S + 3P		
D	DG07-0498	JW	09/15/08	dr	D. INGRAM 04/30/02	scale	R/A SOLDER RECEPTACLE		
				enrg	J. SWAIN 04/30/02	1:1	product family PwrBlade code		
				chr	J. SWAIN 04/30/02		size 213		
				appd	J. SWAIN 04/30/02		dwg no 51915-010 sheet		
sheet index	revision sheet	D	D	D	D		1 of 4		
		1	2	3	4				

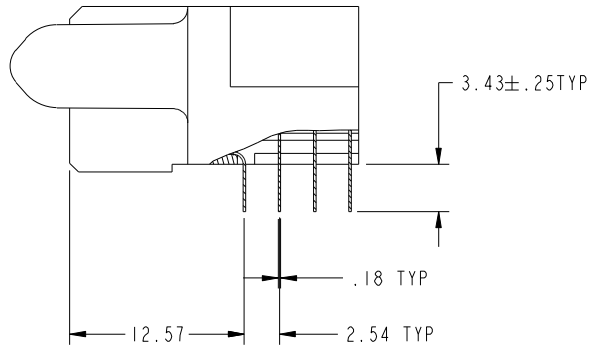
**CUSTOMER**  
 www.fciconnect.com  
 title: IP + 32S + 3P R/A SOLDER RECEPTACLE  
 product family: PwrBlade code: 213  
 size: A dwg no: 51915-010 sheet: 1 of 4  
 cage code: 22526

Tous droits strictement reserves. Reproduction ou communication a des tiers interdite sous quelque forme que ce soit sans autorisation écrite du propriétaire. Propriete de c FCI. Droits de reproduction FCI.



All rights strictly reserved. Reproduction or issue to third parties in any form whatever is not permitted without written authority from the proprietor. Property of FCI. Copyright FCI.

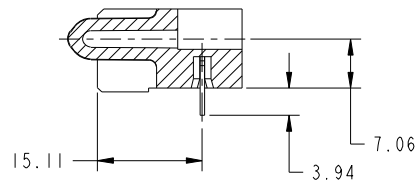
PRODUCT NUMBER  
51915-010--  
NOTE: 3



BROKEN-OUT SECTION A-A  
SCALE 2:1



BROKEN-OUT SECTION B-B  
SCALE 2:1



SECTION C-C

mat'l code		SEE NOTE 2		tolerances unless otherwise specified		CUSTOMER		www.fciconnect.com	
ltr	ecr no.	dr	date	linear	0.X ± 0.5	COPY		title	
D					0.XX ± 0.25	projection		IP + 32S + 3P R/A SOLDER RECEPTACLE	
				angles	0.XXX ± 0.10			product family PwrBlade code 213	
				dr	0° ± 2°			size dwg no 213	
				enr	D. INGRAM 04/30/02	scale		sheet 2	
				chr	J. SWAIN 04/30/02	1:1		51915-010	
				appd	J. SWAIN 04/30/02				
sheet index	revision sheet								

cage code 22526

Pro/E

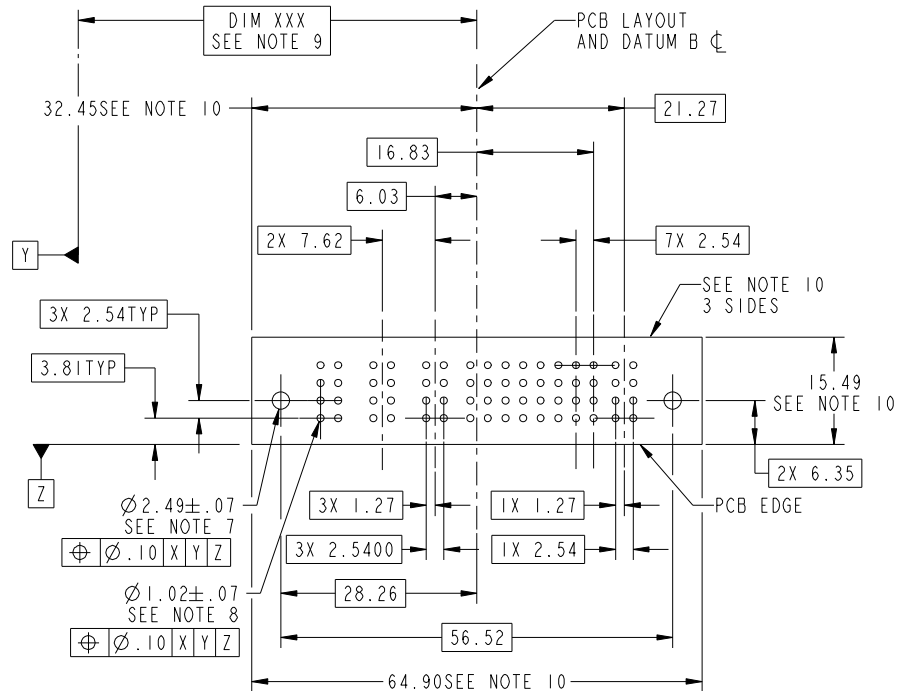
Tous droits strictement reserves. Reproduction ou communication a des tiers interdite sous quelque forme que ce soit sans autorisation écrite du propriétaire. Propriete de c FCI. Droits de reproduction FCI.



All rights strictly reserved. Reproduction or issue to third parties in any form whatever is not permitted without written authority from the proprietor. Property of FCI. Copyright FCI.

PRODUCT NUMBER  
51915-010--  
NOTE: 3

1 | 2 | 3 | 4



RECOMMENDED PCB LAYOUT

mat'l code				SEE NOTE 2		tolerances unless otherwise specified		CUSTOMER		www.fciconnect.com	
ltr	ecn no.	dr	date	linear	0.X ± 0.5	COPY		projection		title	
D					0.XX ± 0.25					IP + 32S + 3P R/A SOLDER RECEPTACLE	
				angles	0.XXX ± 0.10					product family PwrBlade code 213	
				dr	0° ± 2°			scale		size dwg no 51915-010 sheet 3	
				enr	D. INGRAM 04/30/02			1:1		cage code 22526	
				chr	J. SWAIN 04/30/02						
				appd	J. SWAIN 04/30/02						
sheet index		revision sheet									

A

A

B

B

1 | 2 | Pro/E | 3 | 4

Tous droits strictement réservés. Reproduction ou communication a des tiers interdite sous quelque forme que ce soit sans autorisation écrite du propriétaire. Propriété de c FCI. Droits de reproduction FCI.



All rights strictly reserved. Reproduction or issue to third parties in any form whatever is not permitted without written authority from the proprietor. Property of FCI. Copyright FCI.

PRODUCT NUMBER  
51915-010--  
NOTE: 3

NOTES:

1. DIMENSIONS AND TOLERANCES ARE IN ACCORDANCE WITH ASME Y14.5M, 1994 UNLESS OTHERWISE SPECIFIED.

CONNECTOR NOTES:

2. HOUSING MATERIAL: UL 94 V-0 GLASS FILLED HIGH-TEMP THERMOPLASTIC  
POWER CONTACT MATERIAL: COPPER ALLOY  
SIGNAL PIN MATERIAL: COPPER ALLOY

3. PLATING:  
SEE ITEM 5 & 6 IN PRINT 10064183 FOR PLATING SPEC OF 51915-010; 51915-010LF RESPECTIVELY

4. MANUFACTURER'S NAME, P/N, AND DATE CODE TO APPEAR ON THIS SURFACE.

5. PRODUCT SPECIFICATION GS-12-149.  
APPLICATION SPECIFICATION BUS-20-067.

PCB NOTES:

6. ALL HOLE DIAMETERS ARE FINISHED HOLE SIZE.

7. MOUNTING HOLES, WHERE APPLICABLE, ARE UNPLATED.

8.  $\varnothing 1.151 \pm 0.025$  DRILLED HOLES PLATED WITH) 0.008 MIN SnPb OR Sn OVER 0.03 TO 0.08 Cu PLATING TO ACHIEVE  $\varnothing 1.02 \pm .07$  HOLE.

9. "DIM XXX" TO BE DETERMINED BY THE CUSTOMER.

10. CONNECTOR KEEP-OUT ZONE.

11. A  $\Delta$ SYMBOL WILL BE NEXT TO ANY DIMENSION, VIEW, OR NOTE WHICH HAS BEEN MODIFIED WITH THE CURRENT DRAWING REVISION.

12. THE VOID CORING IN BETWEEN POWER MODULES, SIGNAL MODULES AND END MODULES ARE OPTIONAL AND THE SHAPE MAY BE DIFFERENT FOR OPTIMIZING THE MOLDING PROCESS. THE VOID CORING WILL NOT EFFECT TO PRODUCT FUNCTION.

mat'l code				SEE NOTE 2		tolerances unless otherwise specified		CUSTOMER		FCI www.fciconnect.com	
ltr	ecn no.	dr	date	linear	0.X ± 0.5		COPY		projection	title	
D					0.XX ± 0.25		←			IP + 32S + 3P R/A SOLDER RECEPTACLE	
					0.XXX ± 0.10		⊕			product family	
				angles	0° ± 2°		MIM		PwrBlade		code
				dr	D. INGRAM 04/30/02		←		size		213
				enr	J. SWAIN 04/30/02		scale		dwg no		sheet
				chr	J. SWAIN 04/30/02		1:1		A 51915-010		4
				appd	J. SWAIN 04/30/02						
sheet index	revision sheet										

cage code 22526

Pro/E